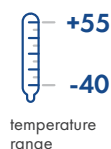


MB-15 Full height railings



Application

MB-15 railing is designed to segment entrance points into functional areas with high safety requirements for control and full height coverage of the passage zone.

It can be used as a standalone blocking device and as a part of RTD-15 turnstile and WHD-15 security gate, with that, the railing is produced in the same design as above mentioned equipment so that they can form a unique construction. Sections coupling is performed at 180°, 90° angles. There are fixing elements for attaching to a wall (for more information about attaching plates and brackets required for connecting the elements of the turnstile, railing sections, canopy, security gate see page 210).

Two versions of railings are available:

- MB-15R main railing section
- MB-15D additional railing section (the section is not fixed to the ground and is used for filling gaps)

Operating conditions

The railing, with regard to resistance to environmental exposure, complies with GOST 15150-69 category N2 (operation outdoors). The operation of the railing is allowed at ambient temperature from -40°C to +55°C and relative air humidity up to 98% at + 25°C.

Design

Railing sections are made of strong powder coated extruded aluminium. Colour – light beige with pearl mica effect.

Delivery set

Main railing section (MB-15R main section / MB-15D optional section)	1
Operation Manual	1
Optional equipment (upon request)	
M10 anchor bolt with SORMAT PFG IR 10-15 anchor	4
Attaching plates and brackets required for connecting the elements of the turnstile, railing sections, canopy, security gate	

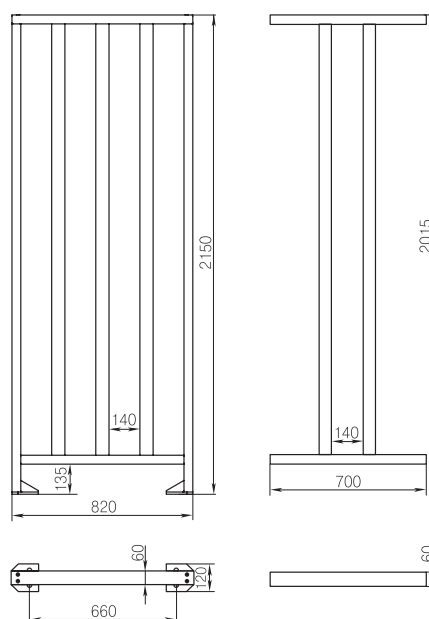
MB-15 Full height railings

Technical specifications

Overall dimensions (LxWxH)	MB-15R main section	820x120x2150 mm
	MB-15D additional section	700* x60x2115 mm
Net weight	MB-15R main section	max. 21.5 kg
	MB-15D additional section	max. 9.4 kg
Package dimensions (LxWxH)		
Main section box		222x93x21 cm
Additional section box		212x77x14 cm

* Can be reduced to 260 mm when installing.

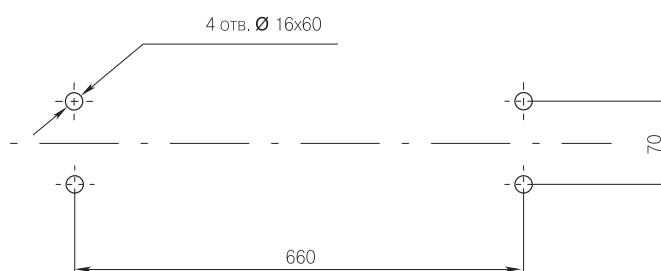
Overall dimensions



Railing sections overall dimensions

Mounting

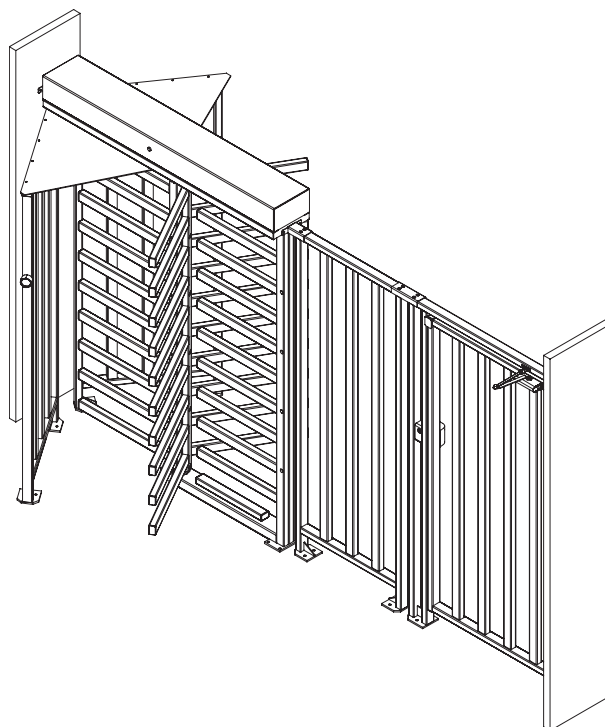
Foundation requirements: plain concrete (grade 400 or higher), stone or similar foundations of at least 150 mm thick. For the installation of railing on a less steady foundation it is recommended to apply reinforcing elements (300x300x300 mm).



Hole marking for mounting railing sections

MB-15 Full height railings

Passage zone modeling

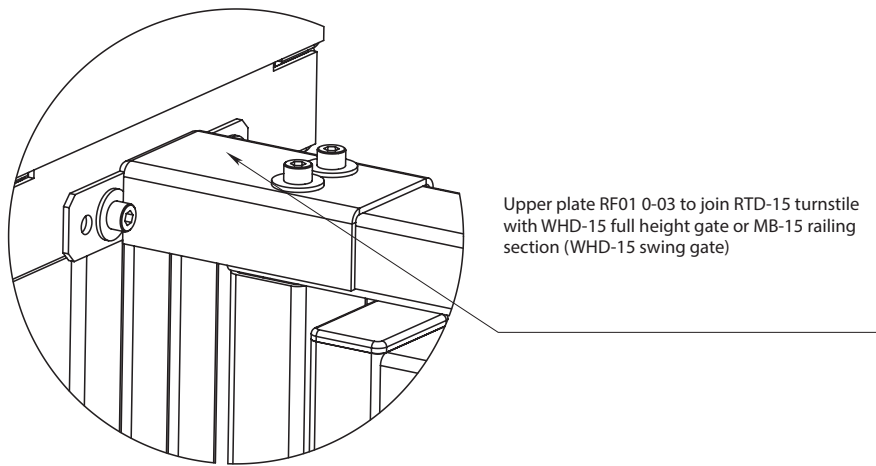


Attaching plates and brackets application

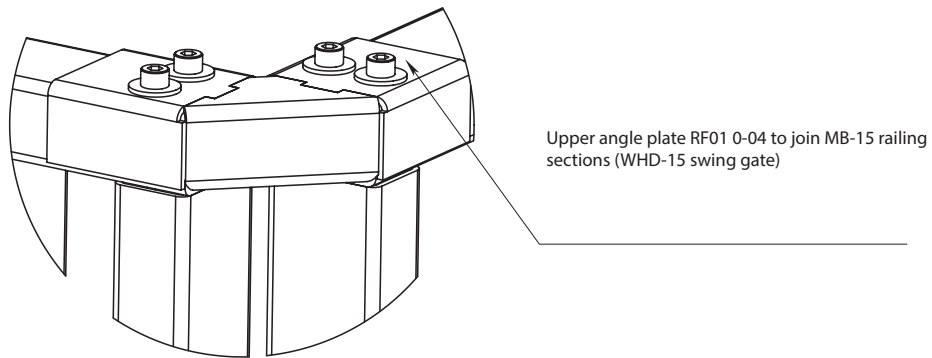
Attaching plates and brackets are required for connecting the elements of the RTD-15 turnstile, RTC-15 canopy, MB-15 railing sections, WHD-15 security gate.

Nº	Item	Description	Mounting layout
1	RF01 0-03	Upper plate for coupling RTD-15 turnstile with WHD-15 or MB-15 railing section (with fastener)	Fig. 1
2	RF01 0-04	Upper angular plate for coupling MB-15 railing sections at 90° (with fastener)	Fig. 2
3	RF01 0-05	Upper plate for coupling MB-15 railing sections / WHD-15 security gate (with fastener)	Fig. 3
4	RF01 0-06	Upper plate for coupling additional MB-15D railing sections with MB-15 section / WHD-15 security gate (with fastener)	Fig. 4
5	RF01 0-07	Lower plate for coupling additional MB-15D railing sections with MB-15 section / WHD-15 security gate or attaching it to a wall (with fastener)	Fig. 5,6
6	RF01 0-08	Upper plate for attaching MB-15 railing section / WHD-15 security gate to a wall (with fastener)	Fig. 7
7	RF01 0-09	Bracket for coupling RTD-15 turnstile with RTC-15 canopy, WHD-15 security gate or MB-15 railing section (with fastener)	Fig. 8
8	RF01 0-10	Bracket for coupling RTD-15 turnstile with RTC-15 canopy (with fastener)	Fig. 9
9	RF01 0-02	Insertion post for filling the gap between RTD-15 turnstiles installed under RTC-15 canopies (with fastener)	Fig. 10
10	RF01 0-11	Bracket for attaching RTD-15 turnstile to a wall (with fastener)	Fig. 11

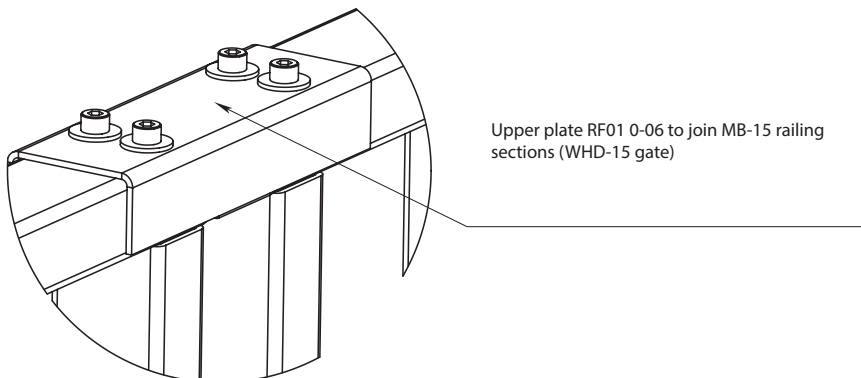
MB-15 Full height railings



Picture 1

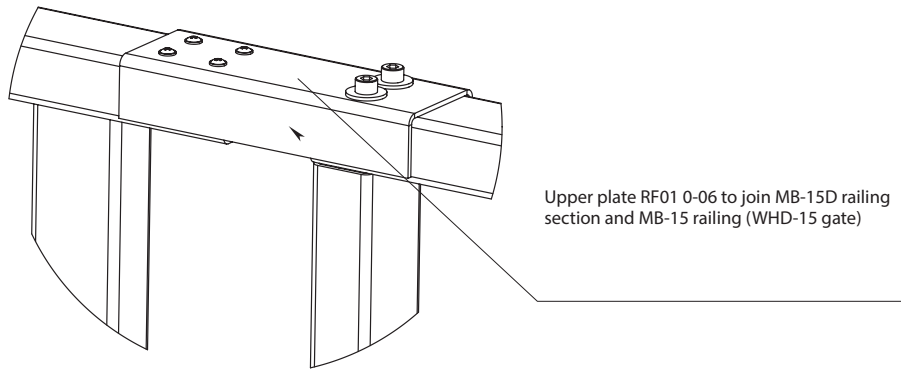


Picture 2

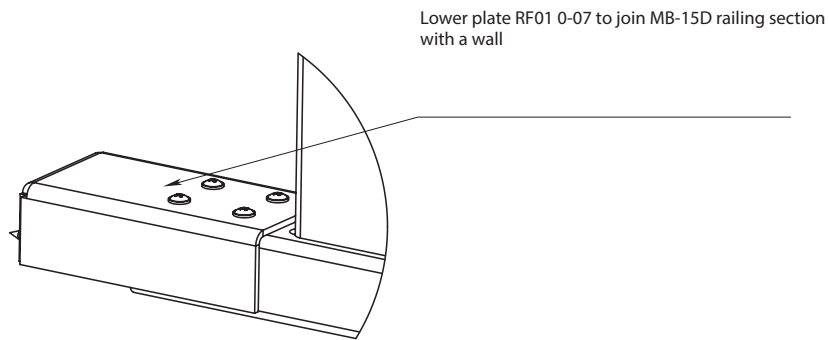


Picture 3

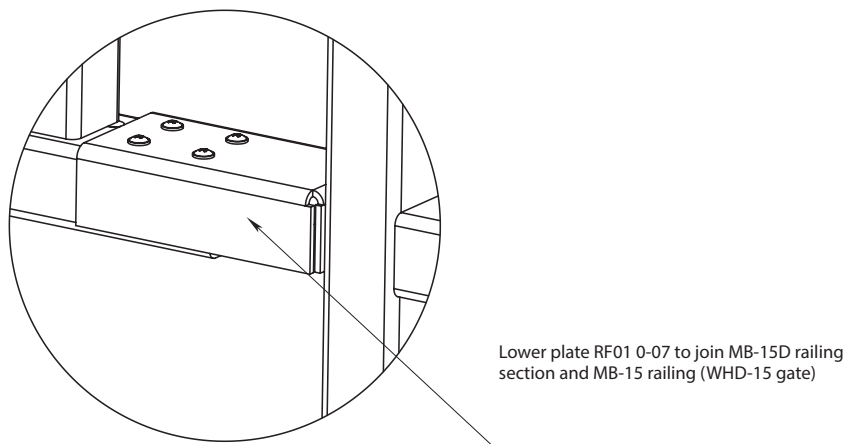
MB-15 Full height railings



Picture 4

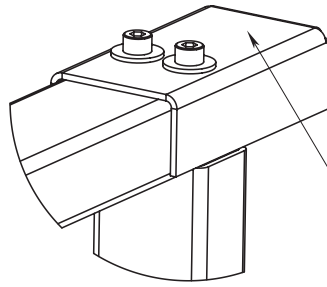


Picture 5



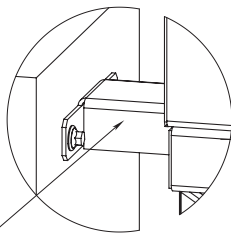
Picture 6

MB-15 Full height railings

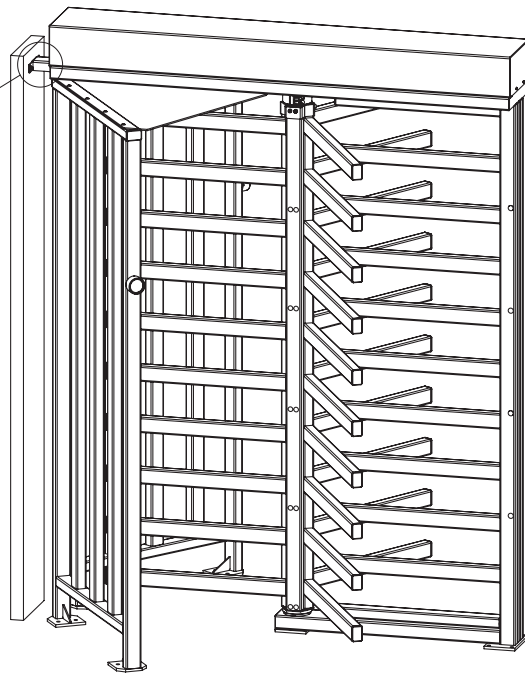


Upper plate RF01 0-08 to join MB-15 railing section (WHD-15 full height gate) with a wall

Picture 7



Bracket RF01 0-11 to join RTD-15 turnstile with a wall



Picture 8